



Industrial · Commercial · Residential
Graffiti Resistant · Fade Resistant · Maintenance Free

SIMTEK FENCE CATALOGUE

Alberta · British Columbia · Saskatchewan



AWARD WINNING DISTRIBUTOR
AND INSTALLER OF SIMTEK FENCE

solidrockfencing.ca

Executive Message

Thanks for your interest in a beautiful and durable SimTek Fence, a wonderful maintenance-free surround that will enhance your project both aesthetically and functionally. I'd like to introduce my friends and our business partners at Solid Rock Fencing. This company holds to the highest standards of product quality, installation precision, and customer service. A two-time winner of our #1 dealer of the year award, this Gold-Elite partner has been ranked among our top 5 global dealers every year since 2011. Because Solid Rock makes a point every year of personally visiting our factory, they are kept abreast of the newest developments and improvements, and their feedback has been integral to development efforts of new product or product improvements.

I offer my 100% endorsement of this fine company and encourage you to work together with them as you plan your upcoming SimTek project. You will not be disappointed in their level of quality or service.

Sincerely,

Brad Wilson
CEO, SimTek Fence



When we started our company, we did so with the goal of providing top quality products, whose efficient designs would lead to premium products being offered at prices that would be affordable for not only government and commercial work, but also to homeowners that could see the value in what we had to offer. For nearly a decade, and spanning 3 provinces, we have been successful doing just that!

We are privileged to have built some truly amazing relationships with our customers over the years. Our best effort goes into giving you not only the best product, but a project that you can be proud to show off!

Whether you're an engineer designing a noise wall, a developer building a subdivision, or a homeowner wanting to add a safe, secure, maintenance-free fence that will complete your home, we are here to help you through the process.

We look forward to talking with you soon!

Robin Kurpjuweit
President, Solid Rock Fencing

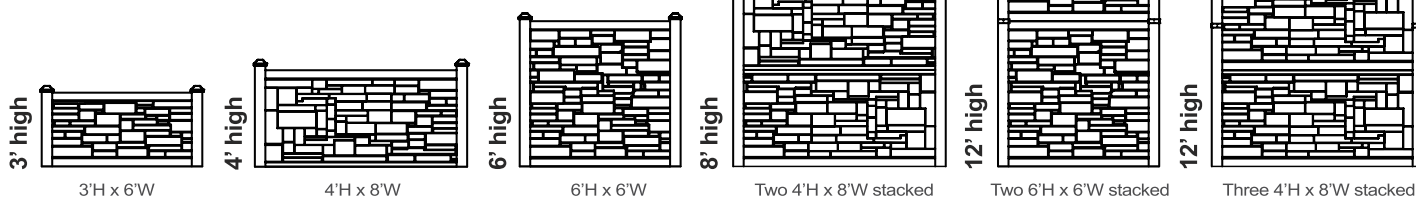


ECOSTONE PANELS

- Panels come in 3'H x 6'W, 6'H x 6'W, and 4'H x 8'W
- All panels contain high-grade galvanized steel in both top and bottom rails
- Panel heights cannot be modified; however, panels can be cut to any custom width
- Our panels have been engineered to allow stacking to create 8' and 12' high walls



EcoStone
FENCE



ECOSTONE POSTS

- Posts come in 8.5' and 12' heights and have a five-inch outer diameter
- All posts contain full-length internal molded steel stiffeners for optimum strength
- Posts are made from 50% recycled polyethylene plastic
- For 12'H, we supply metal I-beams with matching plastic posts sleeves

For more information on Solid Rock Fencing, call 1-877-762-5990 or visit solidrockfencing.ca



FREQUENTLY ASKED QUESTIONS

How durable is SimTek EcoStone?

SimTek EcoStone walls are:

- Unaffected by water, most common chemicals, salt spray and algae.
- Resistant to impact. Baseballs, golf balls, rocks and other such items bounce off.
- Performs well in hot and cold climates, bright sunlight and heavy moisture.

Can SimTek EcoStone act as a sound wall?

SimTek EcoStone Walls are an excellent sound barrier. If we use a 6' concrete wall as a 100% barrier, SimTek blocks 98%, while wood blocks 75% of direct sound.

How about graffiti?

SimTek EcoStone is graffiti resistant. SimTek has been tested with various paints, most of which have been removed with a pressure-washer. Certain marks require common carburetor cleaner. Spray it on for two minutes, the paint softens, then pressure-washes off.

Are gates available?

Yes. Gates come in 3ft, 4ft, 5ft and 6ft widths and may be double hung for 7ft, 8ft, 9ft, 10ft, 11ft or 12ft openings. Gates have galvanized steel frames totally internalized within the molded gate. Gate structures are completely finished, only requiring the mounting of SimTek gate hardware.

What about high winds?

SimTek EcoStone Walls will withstand 175 kph sustained winds and 200 kph gusts.

Can I install a SimTek EcoStone Wall myself?

Yes. SimTek is very user-friendly to do-it-yourselfers. Be certain you comply with all local fencing codes, including depth below grade that posts are set in concrete. The most time consuming steps are digging holes in the ground and anchoring posts in concrete. The posts and panels can be easily handled with minimal impact on your yard. Complete step-by-step instructions are available upon request.





EcoStone
FENCE

SUPERIOR QUALITY. ATTRACTIVE DESIGN.



SimTek EcoStone is a wonderful and very affordable alternative to concrete or rock walls. With a high density foam core and steel reinforced posts, there is no sacrifice in strength. Perfect for any setting, SimTek's strength and durability help it to stand up against the toughest abuse and gives the look and feel of natural granite stone.



SIMTEK ECOSTONE.

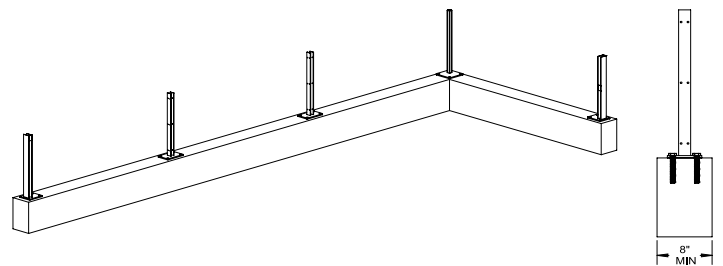


EcoStone
FENCE

Fence panels by SimTek can be easily installed outdoors much like you would a conventional wood or vinyl fence. These manufactured stone-like panels come in various colours of artificial granite to match other features of your property. SimTek simulated stone panels are all virtually maintenance free and can be cleaned quickly with soap and water. They withstand difficult weather conditions such as wind, rain and snow and provide privacy and security for your property.



Concrete Mounting Brackets



- EcoStone may be mounted on concrete or a retaining wall by using our engineered concrete mounting brackets and decorative skirts.

If you're looking for something that's strong and resistant to just about everything, SimTek is the choice for you.

SimTek gates are designed with a total interior metal frame. The exterior shell is made from the same durable polyethylene material as the rest of the fence.



QUALITY PRODUCTS, BUILT RIGHT THE FIRST TIME.

- complete and solid privacy with no gaps.
- graffiti resistant using a high powered pressure washer.
- eco-friendly – made with recycled and recyclable materials.
- wonderfully maintenance-free – never requiring painting, staining and will not warp, fade or crack.



WE ENHANCE LANDSCAPES. WE PROVIDE LASTING STRENGTH.

Go green with EcoStone, our eco-friendly fence! Approved for commercial fence projects that require green building materials. The beauty, look and feel of a natural stone fence. Our simulated stone fence panels are perfect for commercial fence or residential fence applications.

Posts are foam filled with steel. We ship this fence all pre-built, simply install your post and attach our fence. This is our easiest fence to install plus the strongest fence manufactured.

Approved for commercial noise reduction. These privacy fence sections dramatically transform your space from the ordinary to the spectacular. Trust the professionals at Solid Rock Fencing.

BEAUTIFUL YARDS WITH ECOSTONE. CHOOSE A COLOUR.

All EcoStone fence systems are available in the following colours.

When you purchase a SimTek EcoStone fence, you can be assured you're getting a high quality product that's consistent from panel to panel.

We've earned a reputation as a premier fence supplier. Whether it's residential, commercial or industrial building applications, we're there.

Brown Granite



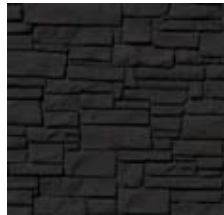
Beige Granite



Grey Granite



Black Granite



Desert Granite



Dark Brown Granite



Colour may not be exactly as shown.



EcoStone
FENCE

Noise? Not Anymore.

We provide residential fencing that minimizes the transfer of sound and reduces noise transfer from either side of your wall.

Whether it's from neighbours, your own conversations, or traffic, you'll find peace from sound-producing nuisances.

SimTek EcoStone never needs painting or staining; nor will it warp, fade or crack.



For more information, call 1-877-762-5990 or visit solidrockfencing.ca



This is a very unique fence that is perfect for commercial and industrial fencing projects. Whether it's a municipal property, apartment, condominium or residential fence for your front or backyard...

We can help.

You can hit a golf ball at the EcoStone fence as hard as you can and the golf ball will bounce off with no damage to the fence.

This fence was even tested against an MLB pitcher's fastball. He couldn't dent our SimTek EcoStone fencing! Our heights of 8' and 12' are approved for use in commercial fence applications for a Sound Barrier Wall.



SimTek Fence has reinvented fence manufacturing



GATES.



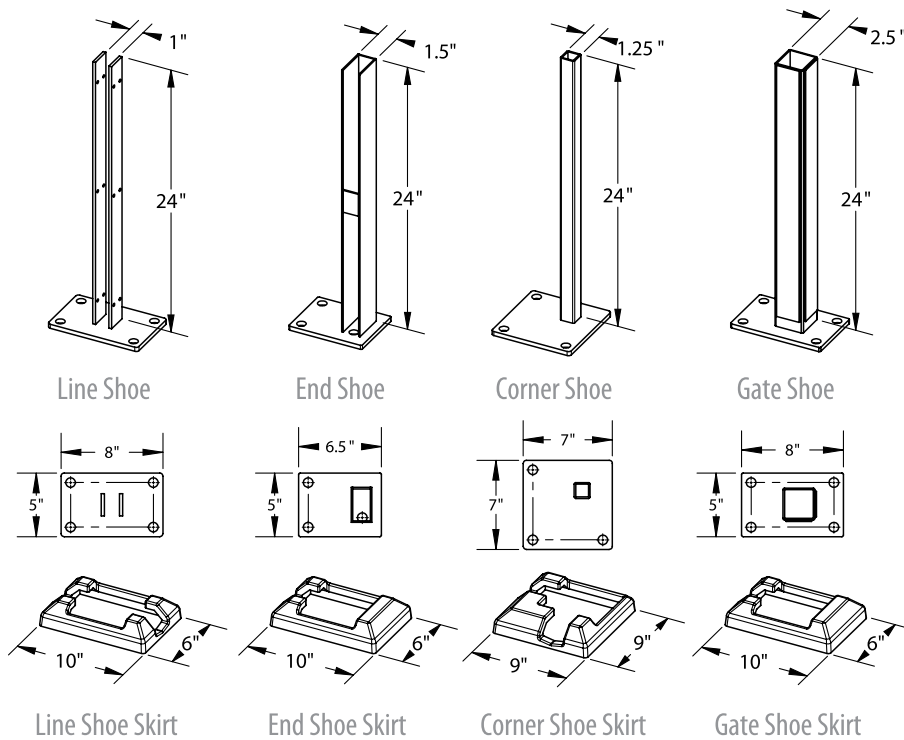
**EXCELLENT
SOUND BARRIER.**



DECORATIVE.

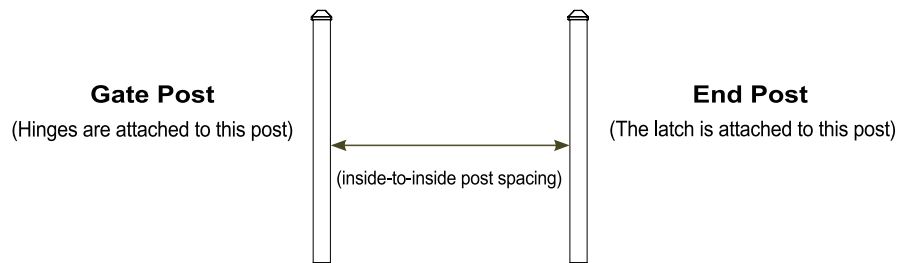


CONCRETE SURFACE MOUNTS & COVER SKIRTS



STEEL REINFORCED GATES

- Gates come in 3ft, 4ft, 5ft and 6ft widths and may be double hung for 7ft, 8ft, 9ft, 10ft, 11ft or 12ft openings
- Internal steel frame provides an extra rigid structure
- Hinges thread directly into the interior metal frame of the gate
- Our spring loaded, self-closing hinges meet national pool codes



Gate Width	Single Opening	Double Drive w/3' Gate	Double Drive w/4' Gate	Double Drive w/5' Gate	Double Drive w/6' Gate
3ft Wide Gate	38.5"	76.0"	88.0"	100.0"	111.0"
4ft Wide Gate	50.5"	88.0"	100.0"	112.0"	123.0"
5ft Wide Gate	62.5"	100.0"	112.0"	124.0"	135.0"
6ft Wide Gate	73.5"	111.0"	123.0"	135.0"	146.0"

TWENTY-FIVE YEAR & LIFETIME WARRANTY.

A maintenance free solution.
Twenty-five and lifetime warranties available.



THE BEAUTY
AND DURABILITY OF
STONE. ADD VALUE TO YOUR HOME.

- ✓ SOLID PRIVACY AND SECURITY FOR YOUR LOVED ONES.
- ✓ EASY TO INSTALL.
- ✓ EXTREMELY DURABLE IN ANY TEMPERATURE.
- ✓ ECO-FRIENDLY.

SOLID PRIVACY AND SECURITY. MAINTENANCE FREE. ECOSTONE.






SOLID ROCK FENCING

DREAM YARDS DON'T JUST HAPPEN,
THEY'RE BUILT ON A FOUNDATION OF
QUALITY AND TIMELESS DESIGN.

SimTek decorative rock walls offers elegance, privacy and security for your yard.
It provides a secluded place for you and your family to spend time together
in the place that matters the most; your home.

Best of all...SimTek EcoStone decorative rock walls block 98% of direct sound.

SimTek Fence has reinvented fence manufacturing

THE ASHLAND COLLECTION FEATURES RICH COLOURS AND DRAMATIC TEXTURE, WHICH GIVES OUR PANELS A REALISTIC WOOD APPEARANCE.





GIVE VALUE

TO YOUR HOME
WITHOUT TAKING FROM NATURE



Ashland panels are made from a proprietary blend of polyethylene and contain up to 25% recycled material. No trees are cut down for the purpose of manufacturing our fence.



Our panels contain UV-12 inhibitors for a lifetime of vibrant colours. Ashland polymers have been tested to withstand extreme weather conditions with little to no fading.



Ashland panels will not warp, fade or crack and never need staining. They withstand temperatures from -40 degrees C to +60 degrees C, and are unaffected by water and salt spray. They are resistant to any negative organic processes.



Ashland fence is literally maintenance free. So, sit back, relax and enjoy the great outdoors.

DESIGNER WOOD-GRAIN COLOURS



Walnut Brown



Nantucket Gray



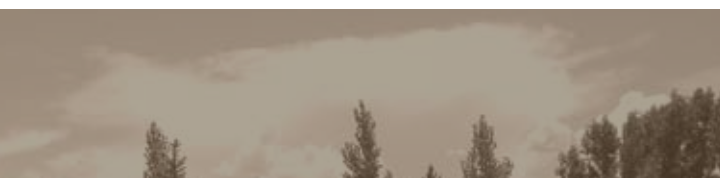
Red Cedar



Gold Cedar



Produced by Laconic Design www.laconicdesign.net



Are you looking for a fencing system that's as durable as it is beautiful?
SimTek stands up to harsh conditions while still looking pristine.

ALBERTA
MAILING ADDRESS:
#3, 3271 DUNMORE ROAD SE,
SUITE 707
MEDICINE HAT, AB
T1B 3R2

HEAD OFFICE: 403-526-2213
TOLL FREE: 1-877-762-5990

BRITISH COLUMBIA
MAILING ADDRESS:
SUITE 125
505-8840 210TH STREET,
LANGLEY, BC
V1M 2Y2



Solid Rock's qualified and dedicated team brings more than 75 years of combined experience in the construction and landscaping industries.

For more information on Solid Rock Fencing, call 1-877-762-5990 or visit solidrockfencing.ca