



Industrial · Commercial · Residential
Selection of Heights · Limitless Colour Options · Low Maintenance

STONETREE® CONCRETE FENCE WALL SYSTEMS CATALOGUE

Alberta · British Columbia · Saskatchewan



A LICENSED MANUFACTURER
OF THE STONETREE® FENCE SYSTEM

solidrockfencing.ca

INTRODUCING US

Solid Rock Fencing is the new generation of fence and wall companies. We strive to enrich the industry by finding or creating the best solutions for our customer's needs. While providing you with the finest products and installation experience, our quality workmanship and refusal to cut corners has kept our industry reputation unchallenged.

Solid Rock manufactures and installs StoneTree® Fence Walls, a high quality precast concrete fencing system featuring natural-looking stone textures and architectural formed finishes on both sides of the wall. Our attention to detail results in long lasting and multipurpose fencing structures. Our fences provide a quieter, more aesthetically pleasing environment, with residential, commercial, and industrial applications.

**WE LIKE
OUR FENCES
TO STAND
PROUD
FOR A LONG,
LONG TIME.**

"For Lions Bay, the aesthetics of the sound wall was critical. We also wanted to protect the property values of Lions Bay home owners. The walls had to be attractive. The people of Lions Bay have established a high standard of excellence for the sound wall project. I believe they have met that high standard of excellence." – Brenda Broughton, Mayor of Lions Bay, British Columbia

"Our fence is beautiful, and is absolutely fantastic value for its superior quality and style. I could not have imagined a more durable or private fence that has such great appeal visually. The entire fencing and landscaping project was a positive experience, all due to the wonderful customer service we received from the team at Solid Rock Fencing. We felt confident from the start that this project would be handled professionally, yet we were pleasantly surprised by the personal touch that made it all come together with ease."

– Elaine Jeffery, Loyal Customer



STONE TREE[®] FENCE SYSTEM

StoneTree[®] Fence Walls are designed for commercial, residential, and industrial applications. The fence walls may be used for security, perimeter, safety, privacy, sound barriers, decorative estate enclosures, Homeowners' Association replacement fences, and many other desired applications.

StoneTree[®] Concrete Fence Wall Systems were developed in 1999 to satisfy a need in the marketplace for a full precast concrete panel with a formed textured appearance on both sides of the wall. The StoneTree[®] Concrete Fence Wall System was the first product to accomplish this task. Later developments resulted in two proprietary technologies: the Combo-Cast[™] system whereby the panel and column are cast as one integrated unit, and the Rigid Footing Support System which provides safe, secure and immediate support to the panels being installed.





INSTALLATION

StoneTree[®] one-piece panel/column construction takes less than half the time to install when compared to traditional two-piece, or stackable panel and column systems. Rigid Footing Support gives walls greater stability during the fence installation process, which increases safety and aligns the fence during construction. This increases the overall strength of your installation.





THE SOLID ROCK ADVANTAGE

For contractors, developers, or cities looking to install, Solid Rock Fencing offers the most efficient system available - providing the highest quality product at a cost that will fit almost every budget. The solid concrete nature of StoneTree® walls, and the environmentally friendly composition of the stain used in sealing and colouring the panels, makes StoneTree® a strong and environmentally friendly choice in fencing.

EXCELLENT SAFETY RECORD

At Solid Rock, we have an excellent track record for safety: it is our number one priority. The objectives of Solid Rock's safety program are to provide a safe and efficient working environment where personal injury is eliminated and property/equipment damage is absent. Safety first. You expect it, we demand it, and our employees live it.



StoneTree® Fence Walls are available in a variety of standard heights suitable for privacy fences, security fences, commercial fences, boundary walls and more. Our most popular fence wall heights range from three feet up to eight feet. Custom heights from nine feet to sixteen feet are easily manufactured, with taller walls available on request. Combination low-wall, high-column fence wall sections are also available.

SUPERIOR QUALITY.
ATTRACTIVE DESIGN.





BEFORE



AFTER



WE ENHANCE LANDSCAPES. WE PROVIDE LASTING STRENGTH.

The StoneTree® Patented Combo-Cast™ panel and column design, combined with the Rigid Footing Support System located at the center of the column, results in added strength, stability and safety with the ultimate reassurance against failure. The wall and column segments are supported by 4" steel I-beams, engineered to withstand a 90 mph wind load in most areas, and meet or exceed local building codes, including seismic activity. We recommend that each project is engineered on a case by case basis through Solid Rock Fencing.

Our concrete fence wall systems utilize highly textured form liners that capture the natural detail of a variety of stone designs. These authentic textures yield the appearance one would expect from a hand-laid wall. For special projects requiring a distinctive appearance, custom designed form liners may also be developed.

**DRIVEN
TO PERFORM.
TRUSTED
TO DELIVER.**





A wide variety of accenting techniques are available to create a more realistic, or individually artistic fence wall using one or more complementary colours. We are the best resource for landscapers who are looking for privacy fence ideas, seeking styles, designs and textures that complement the surrounding area. StoneTree® Privacy Fence Wall Sections are vertically cast to ensure there is a beautiful natural-looking stone, brick, or block texture on BOTH sides of the wall, creating an attractive view from every angle.

Superiority. You Owe It To Yourself.



Ask about matching the stone veneers on your home with our fencing products.



Auburn

Chrome

Silver

Smoke

Woodland

SOLID ROCK FENCING

custom is crucial. colour it your way.

Minimal impact on landscaping.
StoneTree® Concrete Fence colour options are limitless.
Incredible visual appeal guarantees complete satisfaction.



VERSATILITY & BEAUTY FOR YOUR PROJECT.
TOP QUALITY WORKMANSHIP.
NO DETAIL IS OVERLOOKED.

EVERY WALL WE BUILD DESERVES TO BE MULTI-COLOURED.

let your imagination run wild.



YOUR CHOICES FOR CUSTOMIZATION JUST GOT BETTER

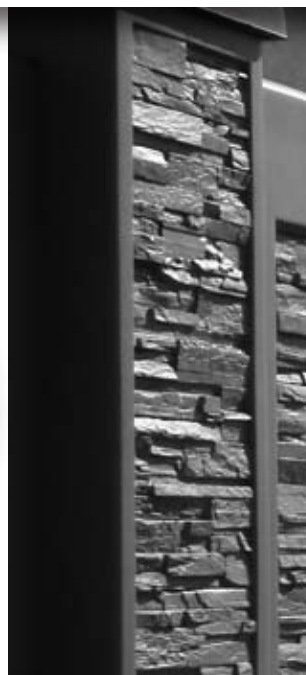


- ✓ The fence is stained with coloured concrete sealers.
- ✓ Pick your colours, no limits.
- ✓ Colour is applied after installation.
- ✓ Artistic? Eccentric? Natural? You decide.

MODERN WOW FACTOR. MATCH YOUR PROPERTY.



Manufactured panels are delivered, installed, then coloured the way you wish.





Design Stamping

PERFORMANCE

StoneTree® Precast Fence Systems have many uses in both residential and commercial environments. They provide a decorative, yet functional, alternative to perimeter and screen wall fencing. While concrete block has traditionally been used for fencing applications, the StoneTree® Precast Fencing System is becoming increasingly popular. This is due to our aesthetically pleasing design details produced by the dual-sided forming system. Plus, the Rigid Footing Support System reduces the need for extra labour while simultaneously ensuring safe, efficient, and fast installation.



OPTIONS

We build to your specifications, customizing both texture and shape. StoneTree® Precast Concrete Fence Walls are produced from cutting-edge forming systems, to provide texture on both sides of the wall. StoneTree® Fence Walls are the most durable and attractive fences on the market, with the easiest installation in comparison to any similar product. When choosing a StoneTree® Fence Wall for your project, our guarantee of quality and excellence lasts a lifetime.



LINER CREATION

The form liners developed for the StoneTree® Forming System are reusable and interchangeable. One concrete forming system can cast wall panels with differing textures depending on which liners are in the form. Multiple designs are available for full customization, allowing you to have a truly unique product.



STYLES

Textured appearances include natural stone, brick, block, stucco and architectural designs. A variety of colours may be applied through field applications. StoneTree® Forming Systems use interchangeable form liners, so a variety of textures are available.

Your fence wall is available in various styles, textures and colouring. We have several different colouring techniques to create a unique look just for you. When you choose a StoneTree® Fence Wall System, we ensure a guarantee of quality and excellence you can take pride in.

Our precast stone wall is not just another concrete wall. StoneTree® Fence Walls are designed from start to finish with the highest quality and workmanship. Our molds are custom-built to incorporate the finest detail in the textures and profiles. Your customized textures and profiles will be identical on both sides of the wall with your choice of colour.

Customization with an industry leader. It's as simple as that.



RECOMMENDED FOR

- Commercial • Industrial • Institutional • Military •
- Boundaries • Homeowner Associations • Sound Reduction •
- Utilities • Highways • Land Parcels • Privacy Applications •

StoneTree® Fence Wall Systems are highly versatile, featuring a wide variety of colours and textures to match any aesthetic. Count on the finest quality workmanship.

Robust, quick installations, durable and cost-effective.

"Solid Rock's team has demonstrated commitment to seeing that every detail is covered and that we get the best product and the best value for our investment. Their definition of quality, and refusal to cut corners has sold us on their product and service as a supplier and installer. Their efficiency in installation has surpassed our highest expectations. Our current commitment with Solid Rock Fencing exceeds 10,000 linear feet of wall."

-Mary Bermudez, Project Manager, The Greens on Gardiner Corp.



StoneTree® Commercial Fence Walls are available in standard fence wall heights up to twelve feet, with higher heights upon request.

They easily integrate safety and security fence equipment features such as security fence gates, wrought iron with spikes, razor wire, fence lighting or cameras.



Call 1-877-762-5990 or visit us online
solidrockfencing.ca

Applications & Design.

Commercial, Residential, Industrial.

At Solid Rock we provide concrete fencing solutions to commercial, residential, and industrial property owners. No matter the scale, no matter the scope, we are fully prepared for the challenge. We've helped condominium owners, home owners, commercial plaza managers and industrial groups to fulfill their dreams of having an attractive fence that will not only stand the test of time, but offer security and peace of mind.

Our fence wall systems have the highest quality materials and workmanship of any comparable products in the marketplace.

TRANSPORTATION, INDUSTRIAL, AND COMMERCIAL PROPERTY

RECOMMENDED FOR

- Shopping Centres • Big Box Stores • Warehouses •
- Oil & Gas • Commercial Development •
- Industrial Sites • Resource Developments •

The StoneTree® Concrete Fence Wall System has been designed to be the safest, most labour-efficient commercial fence wall on the market by combining patented Combo-Cast™ Technology with a proprietary Rigid Footing Support System.

Perimeter fence walls surround a wide variety of land parcels, including residential developments, military compounds, municipalities, retail locations, utilities and more. StoneTree® Concrete Fence Wall Systems are an attractive, safe, efficient, and cost-effective option for barrier walls anywhere.



SITE PREPARATION



AFTER COLOURING

ASK US ABOUT ADDING LIGHTING TO YOUR SOLID ROCK INSTALLATION.
PROVIDE SECURITY, PRESTIGE & PEACE OF MIND.



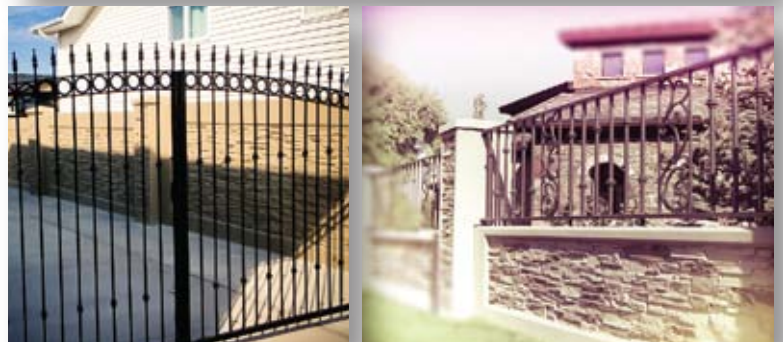
SOLID ROCK FENCING

WE ALSO CREATE CONCRETE FENCE GATES & IRON WORK

RECOMMENDED FOR

- Work Yards • Depots • Private Parking Lots •

StoneTree® Fence Walls are uniquely designed to allow easy and efficient installation of gates and openings of all sizes and for all purposes. Openings and gates in the concrete fence wall are measured and planned during the initial layout session. The type and size of the gate products to be installed, such as a swinging or rolling gate, will determine the engineering and installation methods for their insertion into the fence wall.

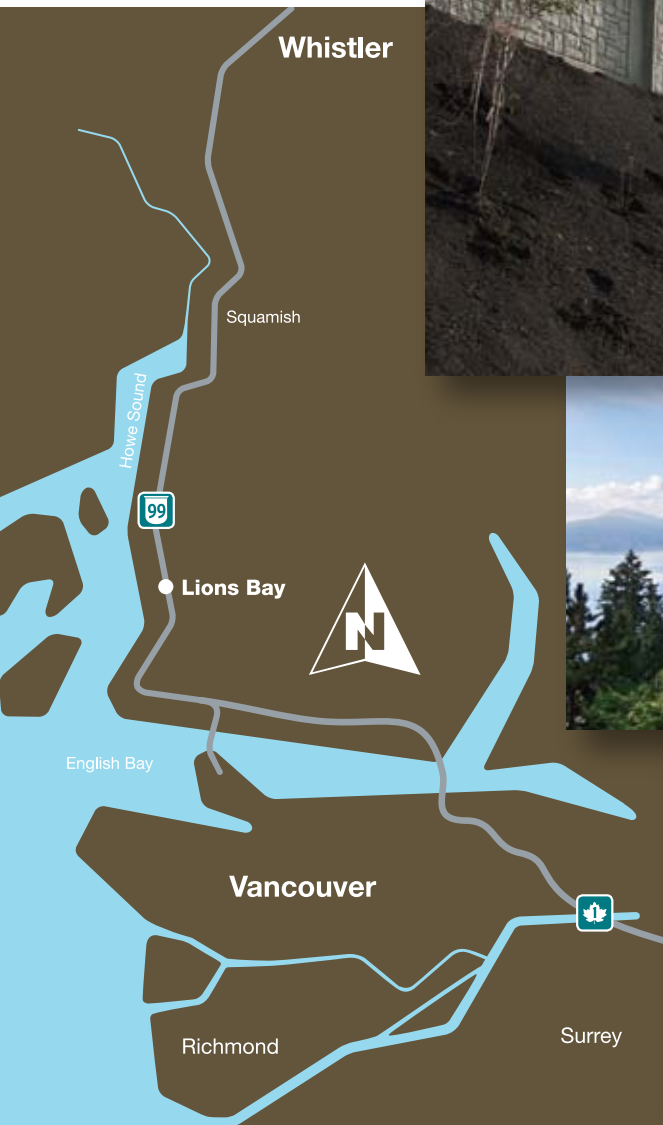


NO CHALLENGE IS TOO BIG.

The small community of Lions Bay along the Sea to Sky Highway needed a 1 KM stretch of sound wall as a part of the upgrades for the Vancouver 2010 Olympics. Solid Rock Fencing designed and installed a system that would compliment the surroundings.



BRITISH COLUMBIA



lions bay sound wall project

SEA TO SKY HIGHWAY.
LIONS BAY, BRITISH COLUMBIA.



QUALITY PRODUCTS, BUILT RIGHT THE FIRST TIME.

With slopes, overpasses, and unforgiving landscape features, the Lions Bay sound wall must withstand up to 180 km/h winds; structural intergrity is key to the success of the project.

Each panel is 15' X 6', stacked to make a complete sound barrier. Large foundations meet weather and seismic specifications as well. The Lions Bay sound wall is truly an effective modular solution to an engineering challenge.



Noise? Not Anymore.

StoneTree® Concrete Fences provide residential fencing that minimizes the transfer of sound and reduces noise transfer from either side of your wall. Whether it's from neighbours, your own conversations, or traffic, you'll find peace from sound-producing nuisances.

FREQUENTLY ASKED QUESTIONS

Are StoneTree® Fence Walls the same as other types of concrete walls?

No. The difference between the StoneTree® Fencing System and other concrete fencing is that most standard fence systems use concrete panels that are separate from the columns or posts. The StoneTree® Fencing System uses Combo-Cast™ Technology, whereby both the column and panel are manufactured as one piece, ultimately reducing manufacturing and installation costs, while providing a durable fence wall for generations to come.

Can StoneTree® Fence Walls act as a sound wall?

StoneTree® Concrete Fence Walls act as a reflective sound barrier and will block noise just like a solid block wall. For Highway Sound Wall projects, such as the Lions Bay noise wall, we manufacture concrete sound wall forms up to 16' in height.

How many textures are available?

StoneTree® Fence Walls are currently available in a variety of stone, block, and brick patterns, including ashlar, brick, coral stone, stacked stone, slate block, and split face block styles. Custom-designed form liners can be made for retailers, HOAs and other entities that desire a unique texture, logo, or other custom architectural detail on their precast concrete fence wall.

What is the cost of a StoneTree® Fence Wall?

There are a variety of factors that contribute to the cost of manufacturing and installing StoneTree® Fence Walls such as material costs, labour, and geographic location. It is recommended that you speak with us to discuss your project requirements and obtain a price based on the conditions of your project site.

What height is attainable?

Our molds allow for 3' to 16' for residential projects. Commercial applications molds allow for 10' to 16'.





Message from the President

When we started our company, we did so with the goal of providing top quality products, whose efficient designs would lead to premium products being offered at prices that would be affordable for not only government and commercial work, but also to homeowners that could see the value in what we had to offer. For nearly a decade, and spanning 3 provinces, we have been successful doing just that!

We are privileged to have built some truly amazing relationships with our customers over the years. Our best effort goes into giving you not only the best product, but a project that you can be proud to show off!

Whether you're an engineer designing a noise wall, a developer building a subdivision, or a homeowner wanting to add a safe, secure, maintenance-free fence that will complete your home, we are here to help you through the process.

We look forward to talking with you soon!

A handwritten signature in black ink, appearing to read "R. Kurpjuweit". The signature is stylized and fluid.

Robin Kurpjuweit
President

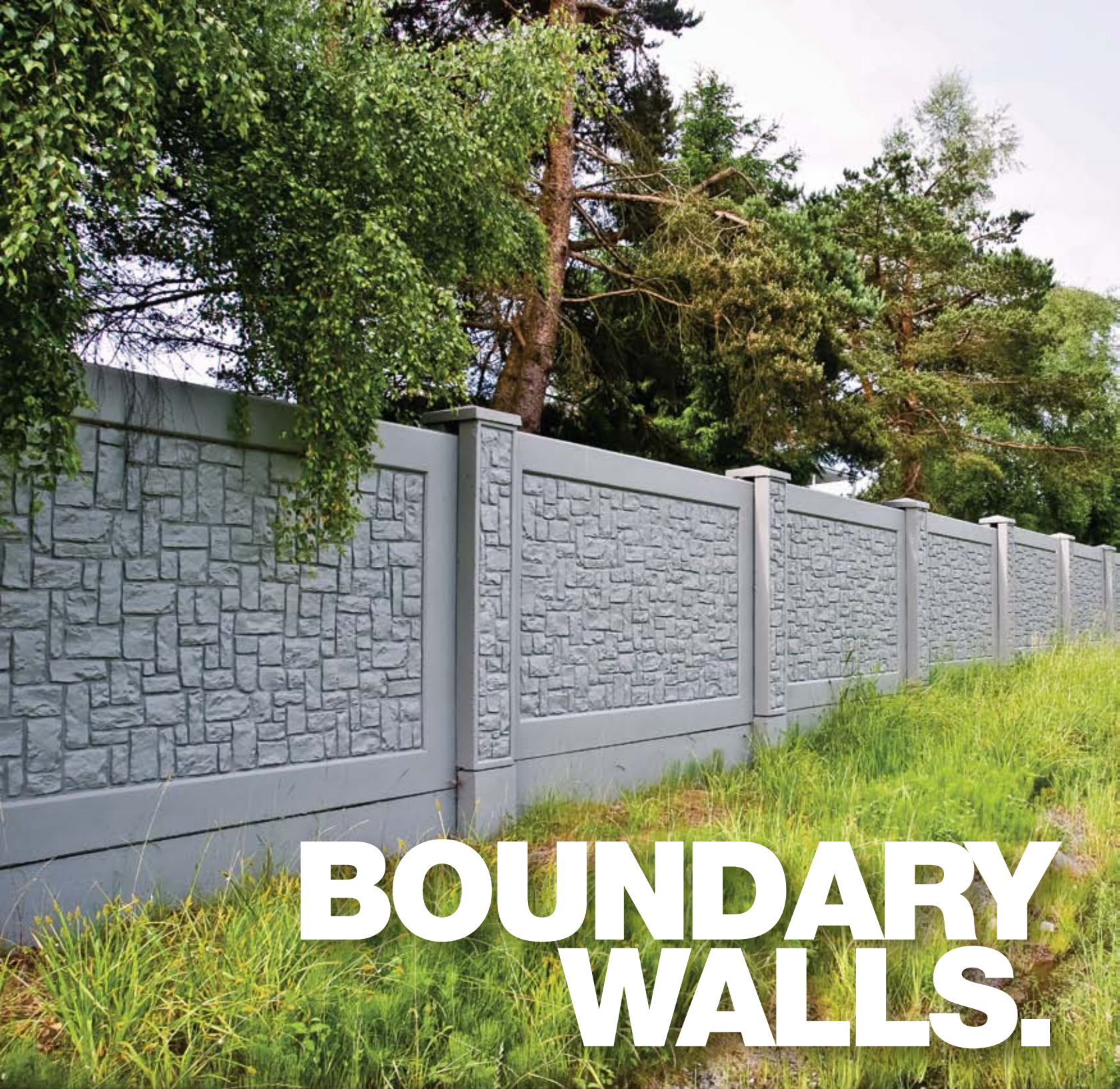




Mark Hersey,
Managing Partner,
British Columbia

John Cunningham,
Customer,
Peachland, British Columbia





BOUNDARY WALLS.



Boundary Walls by StoneTree® provide protection, privacy, and security, enclosing large and small areas alike, while protecting the interior space from intruders. StoneTree® Concrete Wall Systems are the safest, most efficient, cost-effective way to enclose a large area in the shortest amount of time.

StoneTree® Wall Sections are vertically cast, which ensures that they all have a highly defined, decorative concrete texture in natural-looking stone, brick, block and other custom architectural designs on both sides of the wall.

Representing Western Canada.

We serve all of Western Canada
with our roots and foundations
located in Alberta.

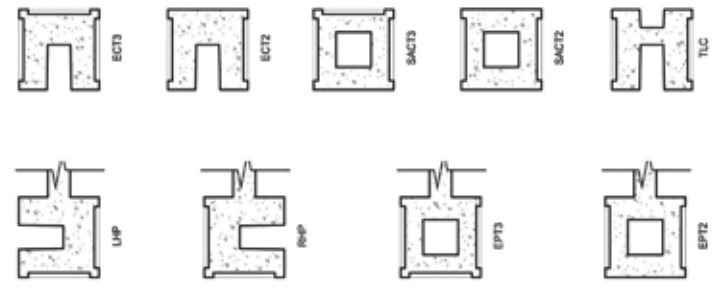
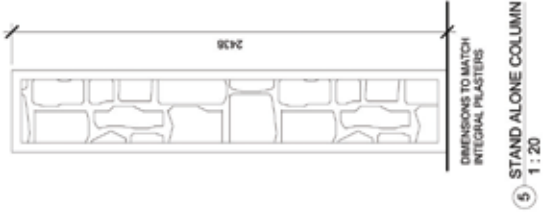
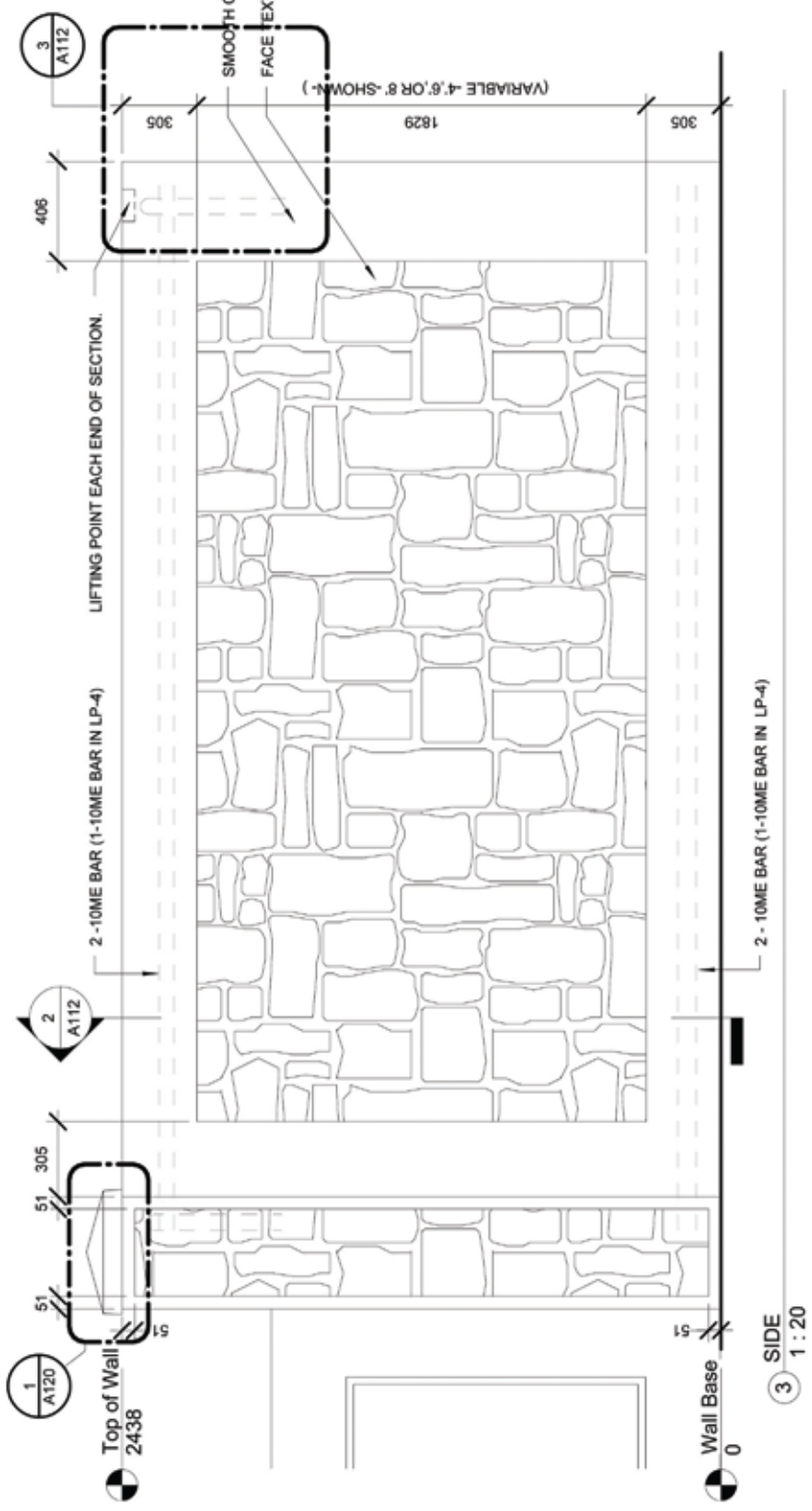
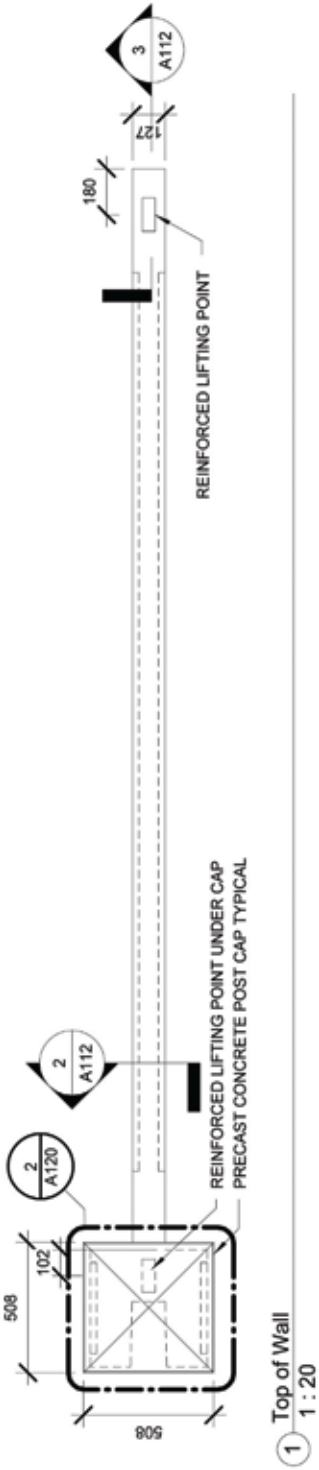


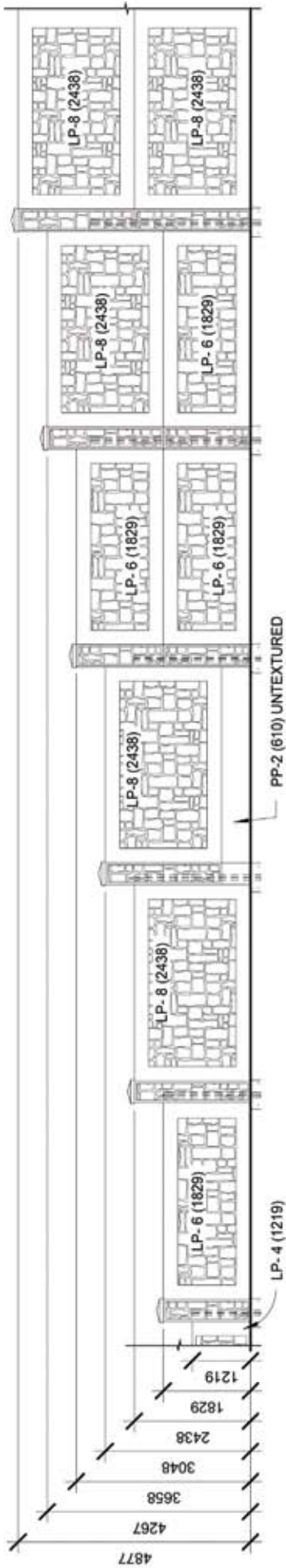
REGINA,
SASKATCHEWAN



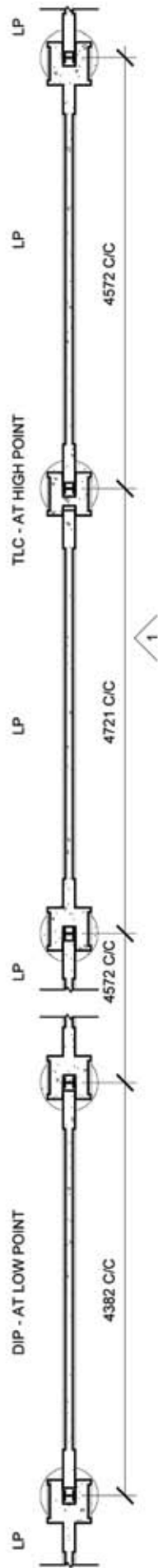
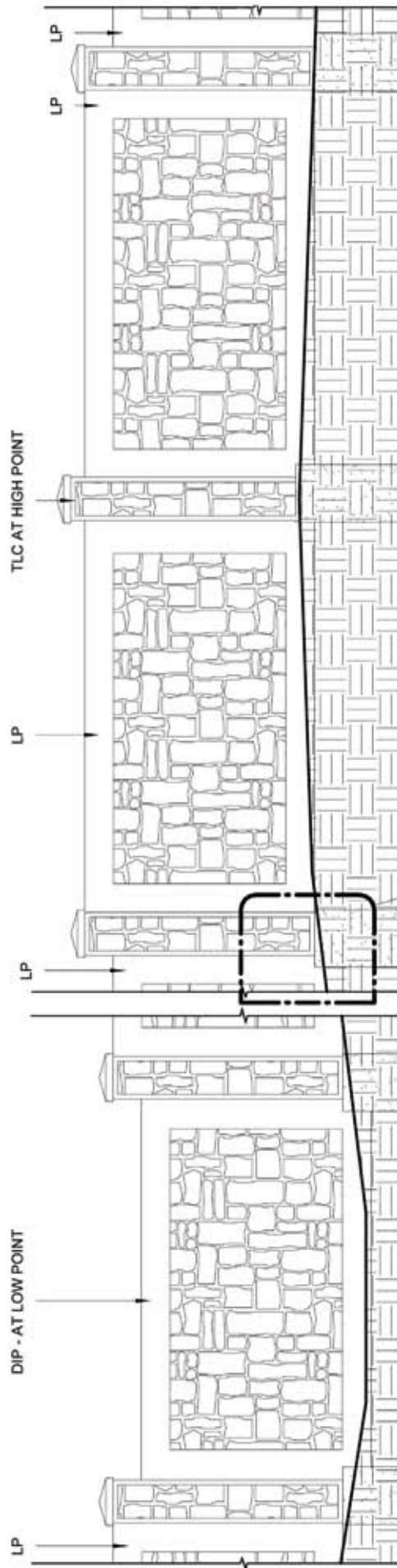
SASKATOON,
SASKATCHEWAN







OTHER COMBINATIONS ARE AVAILABLE AS REQUIRED. *ALL PANELS CAN BE CUT TO LENGTH HORIZONTALLY FOR SPECIFIC CONDITIONS. CUT ENDS OF EXPOSED REINFORCEMENT TO BE COATED OR TREATED TO PREVENT CORROSION

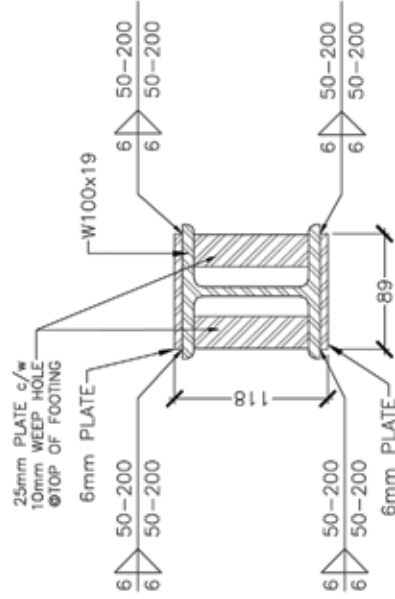


Tallest Adjacent Wall (mm)	Pile Dimensions (diameter x length) (m)	Forces at Top of Pile (Ultimate Limit State)		Displacement (SLS) Elastic Displacement at Top of Column/Wall
		Horizontal Shear, V _x (kN)	Vertical Shear, V _y (kN)	
Middle Column: Two Adjacent Wall Sections				
1219	0.610 x 3.048	8.89	11.50	L/1205
1829	0.610 x 3.048	13.33	17.25	L/357
2438	0.610 x 3.048	17.77	22.99	L/151
3048	0.610 x 4.572	22.22	28.74	L/144
3658	0.610 x 4.572	26.66	34.49	L/83
4267	N/A	31.10	40.24	L/89
4877	N/A	35.55	45.99	L/60
End Column: One Adjacent Wall Sections				
1219	0.610 x 3.048	4.44	5.75	L/2409
1829	0.610 x 3.048	6.67	8.62	L/714
2438	0.610 x 3.048	8.89	11.50	L/301
3048	0.610 x 3.048	11.11	14.37	L/154
3658	0.610 x 4.572	13.33	17.25	L/167
4267	0.610 x 4.572	15.55	20.12	L/105
4877	0.610 x 4.572	17.77	22.99	L/70

Table: Concrete Pile Dimensions and Unfactored Ultimate Limit State Forces Present at the Top of Concrete Piles.

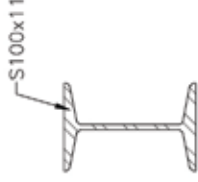
* Length of pile indicates vertical portion of pile below grade. Lengths are for piles where the bottom of both (if applicable) adjacent wall segments is at, or below grade.

** L equals "wall height above top of pile". Displacement Value is distance from vertical position at top of wall. Elastic Displacement.

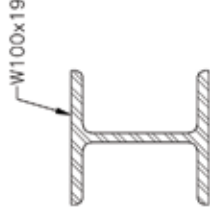


A HEAVY REINFORCED COLUMN SECTION-TYPE A
D010 Scale: NTS

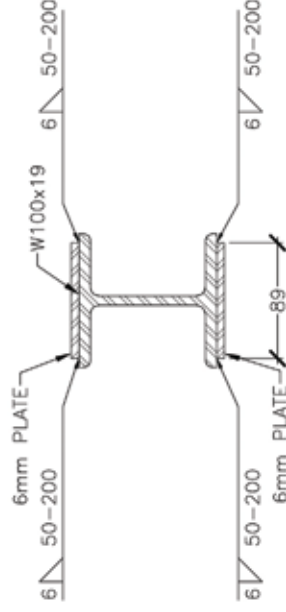
B MEDIUM REINFORCED COLUMN SECTION-TYPE B
D010 Scale: NTS



D UNREINFORCED COLUMN SECTION-TYPE D
D010 Scale: NTS



C UNREINFORCED COLUMN SECTION-TYPE C
D010 Scale: NTS

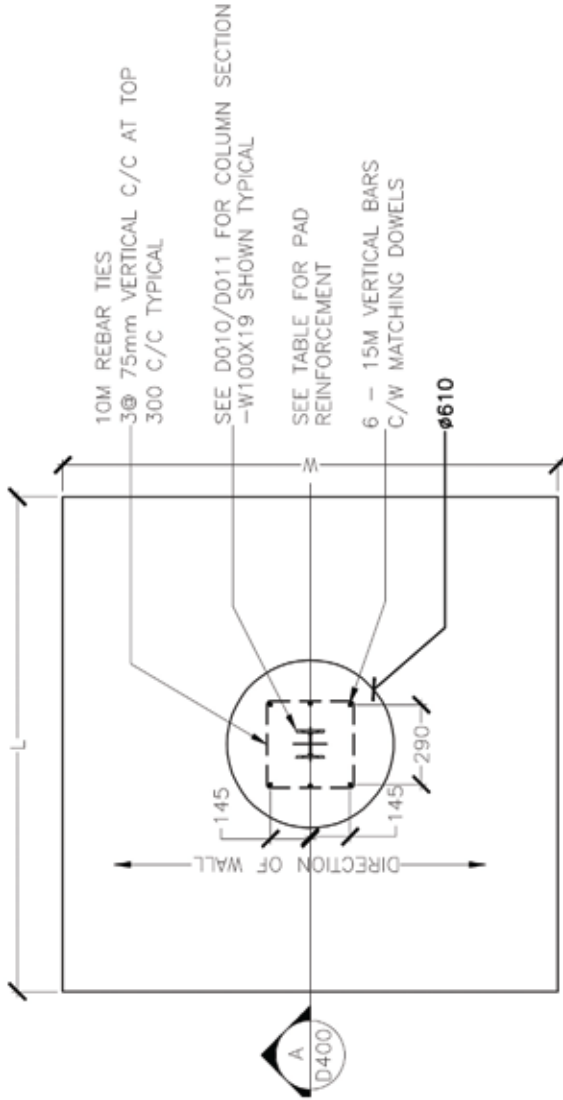


A HEAVY REINFORCED COLUMN SECTION-TYPE A
D010 Scale: NTS

B MEDIUM REINFORCED COLUMN SECTION-TYPE B
D010 Scale: NTS

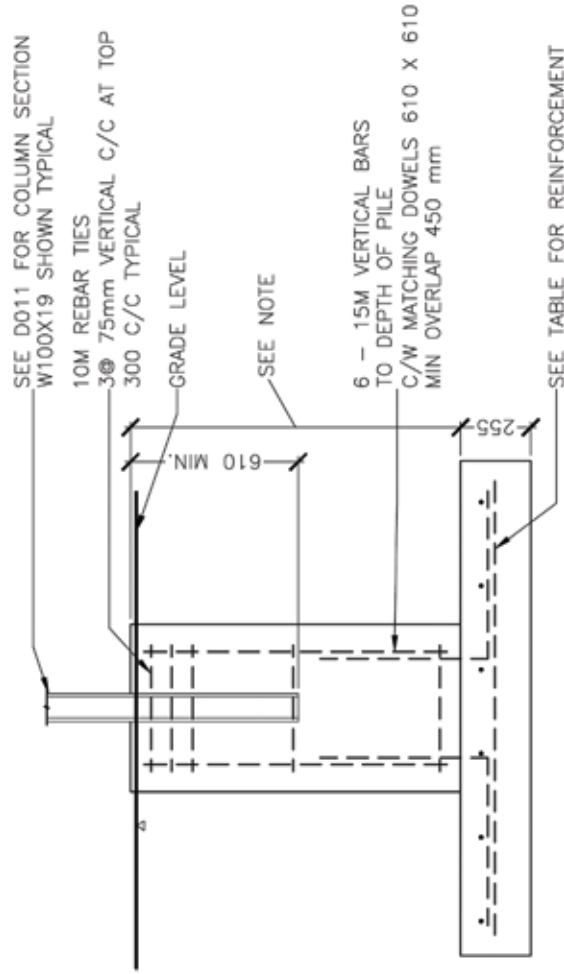
C UNREINFORCED COLUMN SECTION-TYPE C
D010 Scale: NTS

D UNREINFORCED COLUMN SECTION-TYPE D
D010 Scale: NTS



1 PIER & PAD PLAN

Scale: 1:20



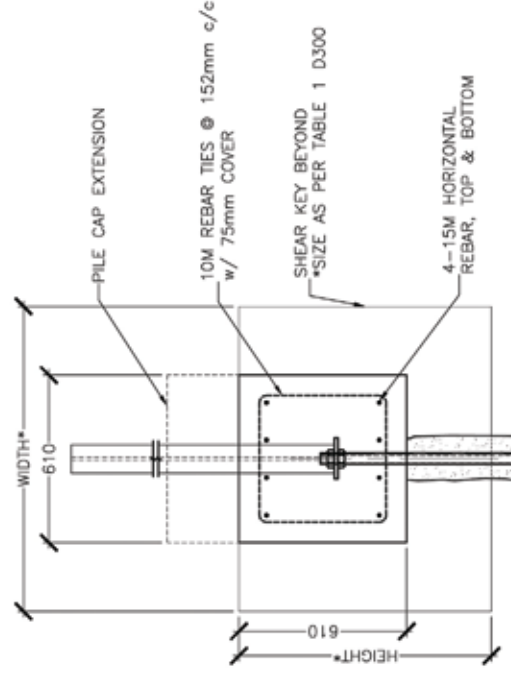
A PIER & PAD SECTION

Scale: 1:20

Column Label Wall (m)	Footing Size (l x w x h) (m, m, m)	Reinforcement
Middle Column: Two Adjacent Wall Sections		
1.219	1.030 x 1.030 x 0.255	15M at 500mm Centre to Centre Each Way
1.829	1.280 x 1.280 x 0.255	15M at 500mm Centre to Centre Each Way
2.438	1.500 x 1.500 x 0.255	15M at 500mm Centre to Centre Each Way
3.048	1.710 x 1.710 x 0.255	15M at 500mm Centre to Centre Each Way
3.658	1.900 x 1.900 x 0.255	15M at 500mm Centre to Centre Each Way
4.267	2.080 x 2.080 x 0.255	15M at 500mm Centre to Centre Each Way
4.877	2.260 x 2.260 x 0.255	15M at 500mm Centre to Centre Each Way
End Column: One Adjacent Wall Sections		
1.219	0.820 x 0.820 x 0.255	15M at 500mm Centre to Centre Each Way
1.829	1.020 x 1.020 x 0.255	15M at 500mm Centre to Centre Each Way
2.438	1.200 x 1.200 x 0.255	15M at 500mm Centre to Centre Each Way
3.048	1.370 x 1.370 x 0.255	15M at 500mm Centre to Centre Each Way
3.658	1.520 x 1.520 x 0.255	15M at 500mm Centre to Centre Each Way
4.267	1.670 x 1.670 x 0.255	15M at 500mm Centre to Centre Each Way
4.877	1.820 x 1.820 x 0.255	15M at 500mm Centre to Centre Each Way

SEE TABLE ON D100 FOR DESIGN LOADS

Table: Footing Sizes and Reinforcement Layouts for Pad Footings.





Produced by Laconic Design www.laconicdesign.net

StoneTree® Fence Walls Have Natural-Looking Stone Texture on BOTH Sides of the Wall

ALBERTA
MAILING ADDRESS:
#3, 3271 DUNMORE ROAD SE,
SUITE 707
MEDICINE HAT, AB
T1B 3R2

HEAD OFFICE: 403-526-2213
TOLL FREE: 1-877-762-5990

BRITISH COLUMBIA
MAILING ADDRESS:
SUITE 125
505-8840 210TH STREET,
LANGLEY, BC
V1M 2Y2



Solid Rock's qualified and dedicated team brings more than 75 years of combined experience in the construction and landscaping industries.

For more information on Solid Rock Fencing, call 1-877-762-5990 or visit solidrockfencing.ca